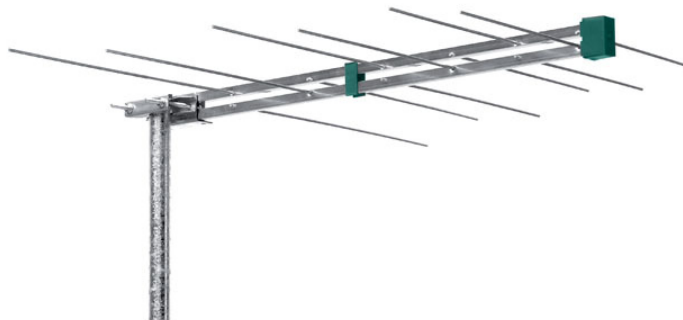


SignalMAX Band III Log Periodic Antenna

ANTLP3SM

The NAS team are proud to release our Premium Italian-made SignalMAX 12 element band III Log Periodic Antenna. Supplied in a heavy-duty carton of 10, the ANTLP3SM is made in Italy, using premium grade non-recycled aluminium, manufactured on a computer controlled machine with 0.1mm tolerances. Quality coaxial cable is pre-run inside the boom, utilising a patented 75ohm connection system, ensuring best-in-class impedance matching and highest return loss, for optimum signal transmission.



Features

- Premium grade non-recycled aluminium
- Manufactured in Italy on a computer controlled machine with 0.1mm tolerances
- Dual internal F-terminations using patented 75ohm connection system
- External F connection and weather boot
- Flat signal response
- Superior return loss



Specifications

Feature	ANTLP3SM
BAND	III
ELEMENTS	12
GAIN	7dB
F/B RATIO	20dB
HORIZONTAL BEAMWIDTH	64 Degrees
WIND LOADING	2.5
MANUFACTURE	Pure Aluminium
PACKAGE CONTENTS	10 antennas and 10 weather boots



Made in Italy

