

# TC-H356S Spec:30X/I

H.265 5MP 30x Starlight IR PTZ

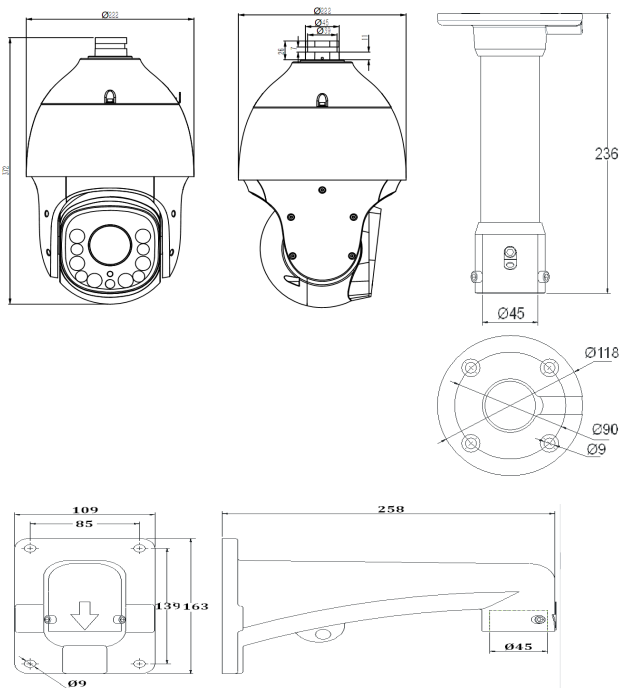
# Tiandy



## Features

- Starlight Ultra Low Light 0.002lux
- S+265/H.265/H.264 HP/MP/BP/M-JPEG Codec
- Up to 5MP@20fps
- Mechanical WDR 120dB
- Smart IR, IR Range: 400m
- NIR, WDR, 3D DNR, HLC, Dual-ICR, AWB, AGC, BLC
- VCA Tripwire/Double Tripwire/Perimeter/Object Abandon/Object Lost/Running/Loitering/Parking/Audio Abnormal Detection/Video Abnormal Detection
- Optical Zoom: 30x, Digital Zoom: 16x
- Speed Max 400°/s, -16~90° Tilt Angle
- Audio in/out 1/1, Alarm in/out 1/1, MicroSD Card Slot, up to 128GB, Reset Button
- TVS 6000V, Lightning/Surge 4000V Protection, IP66
- Operating Conditions -40°C-70°C, 0 ~ 95% RHG

## Dimensions



Camera	
Image Sensor	1/2.8" CMOS
Signal System	PAL/NTSC
	Color: 0.002 Lux @(F1.6,AGC ON)
Minimum Illumination	B/W:0.001Lux @(F1.6,AGC ON) 0 Lux with IR
White Balance	Auto/ ATW/ Manual
BLC	Y
HLC	Y
Smart Defog	Y
WDR	120dB
Digital Noise Reduction	3D DNR
Exposure Mode	Auto/ Manual/Iris First/ Shutter First
Shutter Time	1/1s ~ 1/10000s
Day& Night	IR Cut Filter with Auto Switch
Optical Zoom	30x
Digital Zoom	16x
Privacy Masking	24 Privacy Mask Programmable; Optional Multiple Colors
Auto Focus	Auto/ Semi-automatic/ Manual
OSD	Size:16×16, 32×32, 24×24, 48×48, 64×64,96×96 Letters, Week, Date, Time, Total 5 Regions ,PTZ Angle Superposition
Lens	
Focal Length	4.7-141mm, 30x
Zoom Speed	Approx. 5s(Optical Wide-Tele)
Angle of View	69.5°(w)~2.7°(t)
Minimum Working Distance	1-1.5m(Wide-Tele)
Aperture Range	F1.5 ~ F4.0
Pan & Tilt	
Pan Range	360°endless
Pan Speed	Pan Manual Speed: 0.1°~240°/s Pan Preset Speed: 240°/s stepless
Preset Accuracy	±0.2°
Tilt Range	-16°~90° (Auto Flip )
Tilt Speed	Tilt Manual Speed: 0.1°~240°/s Tilt Preset Speed: 240°/s
3D Position	Y
Number of Preset	500
Scan	8
Cruise	8, up to 32 Presets per Cruise
Pattern	8, Each One With 600s Memory or 300 Orders
Power loss recovery	Y
Guard Action	Preset/ Cruise/ Pattern/ Scan
PTZ Position Display	Y
Freeze Frame	Y
RS-485 Protocols	N/A
Infrared	
IR Irradiation Distance	400m
IR Irradiation Angle	Adjustable by Zoom
Interface	
Audio Input	1-ch Mic in(Line in Interface) Line Input 2-2.4V[p-p]; Output Impedance 1KΩ, ±10%
Audio Output	1-ch, Line Level, Impedance: 600Ω
Ethernet	1-ch RJ45 10M/ 100M
Alarm Input	1-ch
Alarm Output	1-ch
On-board Storage	MicroSD Card Slot, up to 128GB
BNC	N/A
RS-485	N/A
RESET	Y
Extension	N/A
Network	
Max.Image Resolution	5MP(2592×1944)
Main Stream	2592×1944@18fps; 2560×1920@20fps; 2592×1520@25fps; 2560×1440@25fps; 2048×1536@25/30fps; 1920×1080@25/30fps 1280×960@25/30fps; 1280×720@25/30fps
Sub Stream	704×576@25/30fps; 640×360@25/30fps; 704×288@25/30fps; 352×288@25
Third Stream	704×576@25/30fps; 640×480@25/30fps; 352×288@25/30fps;
Image Compression	S+265/H.265/H.264 High Profile/MJPEG
ROI Encoding	7 Dynamic Areas for Both Main and Sub Stream
Audio Compression	G711A/G711U/ADPCM/AAC
Protocols	TCP/UDP/HTTP/MULTICAST/UPnP/DHCP/PPPoE/DDNS/FTP/NTP/RTSP/SNMP/SMTP
Remote Connection	5 Users Access at the Same Time
IP Address	Support static, dynamic IP address, Customized MTU , Customized Network card
System Compatibility	ONVIF (Profile S), SDK,P2P



# TC-H356S Spec:30X/I

H.265 5MP 30x Starlight IR PTZ

# Tiandy

## Dimensions(Optional)

Model: DF20



DF21



Advance	
Autotracking Early Warning(AEW)	N/A
Video Analytics(IVA)	Tripwire/Double Tripwire/Perimeter/Object Abandon/Object Lost/Running/Loitering/Parking/Audio Abnormal Detection/Video Abnormal Detection
Smart-tracking	N/A
Intelligent Alarm	Harsh Voice Alarm, Motion Detection, Mask Alarm, Port Alarm, Network Disable Alarm, IP Conflict, MAC Conflict Detection
General	
Language	English, Spanish, Korean, Italian, Turkish, Thai, Russian, Traditional Chinese, Simplified Chinese, Polish, French
Operating Conditions	-40°C-70°C, 0~95% RHG
Power Supply	AC24V 3A
Power Consumption	38.6W MAX
Circuit Protection	TVS 6000V, Lightning/ Surge 4000V Protection
Impact Protection	IP66
IR LEDs	10 pcs
White LEDs	N/A
Wiper	N/A
Dimensions	372mmx222mmx222mm
Weight	4.8KG (IP PTZ Only), 7.5KG (with Packing Box)

\* The latest product information / specification can be found at <http://en.tiandy.com/>



Tiandy Technologies Co., Ltd | [en.tiandy.com](http://en.tiandy.com)

Add: No.8, Huake Rd2, Binhai Hi-Tech Industry(Huayuan), Tianjin 300384 China

Tel: +86-22-58596037 Email: [sales@tiandy.com](mailto:sales@tiandy.com)

