

TC-NC214S

2MP Starlight Mini IR Bullet Camera

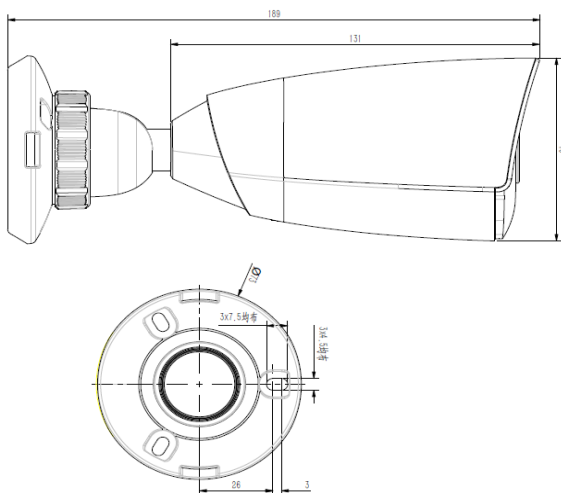
Tiandy



Features

- H.265 compression
- Starlight Ultra Low Light 0.002lux
- Up To 1080P, 1920x1080@30fps
- Cable Free Design
- Mechanical WDR 140dB
- Smart IR, IR Range: 25m
- VCA Tripwire/Double Tripwire/Perimeter/Object Abandon/Object Lost/Running/Loitering/Parking/Crowd/Video Abnormal Detection
- Interface MicroSD Card Slot, up to 128GB, Reset Button
- TVS 6000V, Lightning/Surge Protection: (Power 2000V, RJ45 1000V), IP67
- Operating Conditions -35℃ ~ 60℃ (IR OFF) / -35℃ ~ 40℃ (IR ON), 0 ~ 95% RHG
- Case Material Metal
- CE, FCC

Dimensions



Camera	
Image Sensor	1/2.8" CMOS
Signal System	PAL/NTSC
Min. Illumination	Color: 0.002 Lux B/W: 0.001Lux
Shutter Time	1s to 1/100,000s
Lens	4mm
Lens Mount	M12
Day & Night	IR Cut Filter with Auto Switch
Wide Dynamic Range	140dB
Digital Noise Reduction	3D DNR
Compression Standard	
Video Compression	H.265、H.264 HP/MP/BP、M-JPEG
Video Bit Rate	32K~16Mbps
Audio Compression	N/A
Audio Bit Rate	N/A
Image	
Max. Image Resolution	1920×1080
Frame Rate	PAL: 25fps (1920 × 1080), 25fps (1280 × 720) NTSC: 30fps (1920 × 1080), 30fps (1280 × 720)
Mainstream	1080P(1920*1080)
Substream	4CIF (704*576)
3rd Stream	720p (1280*720)
Image Settings	Brightness, Saturation, Contrast, Flip Mode Adjustable by Client Software or Web Browser
HLC	Y
Smart Defog	Y
Corridor Format	Y
ROI	Y
Privacy Mask	Y
Picture Overlay	Y
OSD	16×16, 32×32, 24×24, 48×48, 64×64, 96×96 Size Letters Such as Week, Date, Time, Total 5 Regions
Network	
Network Storage	FTP
NTP	Y
ANR	Y
Video Analytics	Tripwire/Double Tripwire/Perimeter/Object Abandon/Object Lost/Running/Loitering/Parking/Crowd/Video Abnormal Detection
EW	N/A
Alarm Trigger	Motion Detection/IP Conflict/MAC Conflict/Mask Alarm
Protocols	HTTP/802.1x/FTP/SMTP/UPnP/SNMP/DNS/DDNS/NTP/RTSP/TCP/UDP/DHCP/PPPoE
Remote Connection	≤7
System Compatibility	ONVIF (Profile S), P2P, SDK, CGI
Interface	
Audio Input	N/A
Audio Output	N/A
Communication Interface	1-ch RJ45 10M / 100M Ethernet Interface
Alarm Input	N/A
Alarm Output	N/A
Video Output	N/A
On-board Storage	MicroSD Card Slot, up to 128GB
Extension	Reset
General	
Language	English, Simplified Chinese, Traditional Chinese, Spanish, Italian, Korean, Turkish, Russian, Thai, Polish, French
Operating Conditions	-35℃ ~ 60℃, 0 ~ 95% RHG
Power Supply	DC 12 V ± 25%, POE
Power Consumption	Max: 5W (IR OFF) (ICR Instant Switch 8.5W)
IR Light	2
IR Distance	25m
White Light	N/A
Impact Protection	IP67
Dimensions	189mm×70mm×70mm
Weight	0.7KG (IP Camera Only); 0.9KG (with Packing Box)

* The latest product information / specification can be found at <http://en.tiandy.com/>



Tiandy Technologies Co., Ltd | en.tiandy.com

Add: No.8, Huake Rd2, Binhai Hi-Tech Industry(Huayuan), Tianjin 300384 China

Tel: +86-22-58596037 Email: sales@tiandy.com

