

TC-NC252S

2MP Starlight Vandalproof Mini IR Dome Camera

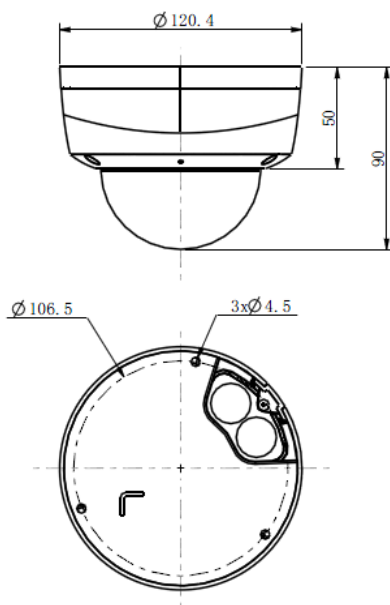
Tiandy



Features

- Starlight Ultra Low Light 0.002lux
- Up To 1080P, 1920x1080@30fps
- Cable Free Design
- H.265 Compression
- IE,Chrome,Firefox, Safari, Plug-in Free
- Mechanical WDR 140dB
- Smart IR, IR Range: 20m
- VCA Tripwire/Double Tripwire/Perimeter/Object Abandon/Object Lost/Running/Loitering/Parking/Crowd/Audio Abnormal Detection/Video Abnormal Detection
- Interface Built-in Mic,Audio I/O 1/0, microSD Card Slot, up to 128GB, Reset Button
- TVS 6000V, Lightning/Surge Protection: (Power 2000V, RJ45 1000V), IP66, IK10
- Operating Conditions -35 °C ~ 60 °C (IR OFF) /-35 °C ~ 40 °C (IR ON), 0 ~ 95% RHG
- Case Material Metal
- CE, FCC

Dimensions



Camera	
Image Sensor	1/2.8" CMOS
Signal System	PAL/NTSC
Min. Illumination	Color: 0.002 Lux B/W: 0.001Lux
Shutter Time	1s to 1/100,000s
Lens	2.8mm, Angle of View: 95.2°
Lens Mount	M12
Day& Night	IR Cut Filter with Auto Switch
Wide Dynamic Range	140dB
Digital Noise Reduction	3D DNR
Compression Standard	
Video Compression	H.265、H.264 HP/MP/BP、M-JPEG
Video Bit Rate	32K~16Mbps
Audio Compression	G.711A/G.711U/ADPCM/AAC
Audio Bit Rate	8K~48Kbps
Image	
Max. Image Resolution	1920x1080
Frame Rate	PAL: 25fps (1920 x 1080), 25fps (1280 x 720) NTSC: 30fps (1920 x 1080), 30fps (1280 x 720)
Mainstream	1080P(1920*1080)
Substream	4CIF (704*576)
3rd Stream	720p (1280*720)
Image Settings	Brightness, Saturation, Contrast, Flip Mode Adjustable by Client Software or Web Browser
HLC	Y
Smart Defog	Y
Corridor Format	Y
ROI	Y
Privacy Mask	Y
Picture Overlay	Y
OSD	16x16, 32x32, 24x24, 48x48, 64x64, 96x96 Size Letters Such as Week, Date, Time, Total 5 Regions
Network	
Network Storage	FTP
NTP	Y
ANR	Y
Video Analytics	Tripwire/Double Tripwire/Perimeter/Object Abandon/Object Lost/Running/Loitering/Parking/Crowd/Video Abnormal Detection
EW	N/A
Alarm Trigger	Motion Detection/IP Conflict/MAC Conflict/Mask Alarm
Protocols	HTTP/802.1x/FTP/SMT/UPnP/SNMP/DNS/DDNS/NTP/RTSP/TCP/UDP/DHCP /IPPoE
Remote Connection	≤7
System Compatibility	ONVIF (Profile S) , P2P, SDK, CGI
Interface	
Audio Input	1-ch, Mic in
Audio Output	N/A
Communication Interface	1-ch RJ45 10M / 100M Ethernet Interface
Alarm Input	N/A
Alarm Output	N/A
Video Output	N/A
On-board Storage	MicroSD Card Slot, up to 128GB
Extension	Reset
General	
Language	English, Simplified Chinese, Traditional Chinese, Spanish, Italian, Korean, Turkish, Russian, Thai, Polish, French
Operating Conditions	-35°C ~ 60°C, 0 ~ 95% RHG
Power Supply	DC 12 V ± 25%, POE
Power Consumption	Max. 5W (IR OFF) (ICR Instant Switch 8.5W)
IR Light	8
IR Distance	20m
White Light	N/A
Impact Protection	IP66, IK10
Dimensions	120mm x 120mm x 90mm
Weight	0.7KG (IP Camera Only); 0.9KG (with Packing Box)

* The latest product information / specification can be found at <http://en.tiandy.com/>



Tiandy Technologies Co., Ltd | en.tiandy.com

Add: No.8, Huake Rd2, Binhai Hi-Tech Industry(Huayuan), Tianjin 300384 China

Tel: +86-22-58596037 Email: sales@tiandy.com

