

# TC-NC552S

## 5MP Starlight Vandalproof Mini IR Dome Camera

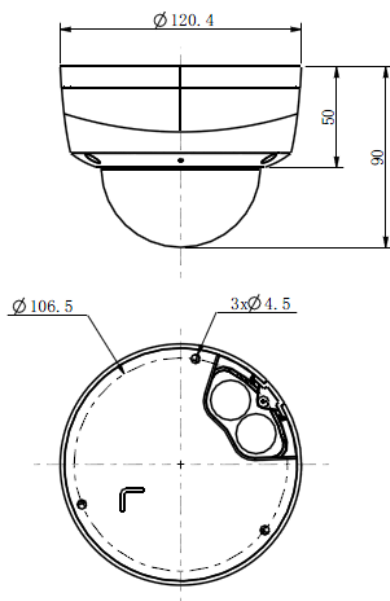
# Tiandy



### Features

- Starlight Ultra Low Light 0.002lux
- Up To 5MP, 2592x1944
- Cable Free Design
- S+265 Compression
- IE,Chrome,Firefox, Safari, Plug-in Free
- Mechanical WDR 120dB
- Smart IR, IR Range: %0m
- VCA Tripwire/Double Tripwire/Perimeter/Object Abandon/Object Lost/Running/Loitering/Parking/Crowd/Audio Abnormal Detection/Video Abnormal Detection
- Interface Built-in Mic,Audio I/O 1/0,MicroSD Card Slot, up to 128GB, Reset Button
- TVS 6000V, Lightning/Surge Protection: (Power 2000V, RJ45 1000V), IP66, IK10
- Operating Conditions -35 °C ~ 60 °C
- 0 ~ 95% RHG
- Case Material Metal
- CE, FCC

### Dimensions



Camera	
Image Sensor	1/2.8" CMOS
Signal System	PAL/NTSC
Min. Illumination	Color: 0.002Lux(F1.6,AGC ON) B/W: 0.001Lux(F1.6,AGC ON); 0Lux with IR
Shutter Time	1s to 1/100,000s
Lens	2.8mm, Angle of View: 101°
Lens Mount	M12
Day & Night	IR Cut Filter with Auto Switch
Wide Dynamic Range	120 dB
Digital Noise Reduction	3D DNR
Compression Standard	
Video Compression	S+265/H.265/H.264H/H.264M/H.264B/MJPEG
Video Bit Rate	32K~16Mbps
Audio Compression	G.711A/G.711U/ADPCM/AAC_LC
Audio Bit Rate	8K~48Kbps
Image	
Max. Image Resolution	2592x1944
Frame Rate	PAL: 2592*1944@18fps, 2560*1920@20fps, 2592*1520@25fps, 1440P@25fps, QXGA@25fps, 1080P@25fps, 960P@25fps, 720P@25fps, 640*360@25fps,4CIF@25fps, 2CIF@25fps, CIF@25fps NTSC: 2592*1944@18fps, 2560*1920@20fps, 2592*1520@25fps, 1440P@25fps, QXGA@30fps, 1080P@30fps, 960P@30fps, 720P@30fps, 640*360@30fps,4CIF@30fps, 2CIF@30fps, CIF@30fps
Mainstream	2592x1944
Substream	D1(704x576)
3rd Stream	CIF(352x288)
Image Settings	Brightness, Saturation, Contrast,Flip Mode Adjustable by Client Software or Web Browser
HLC	Y
Smart Defog	Y
Corridor Format	Y
ROI	Y
Privacy Mask	Y
Picture Overlay	Y
OSD	16*16, 32*32, 24*24, 48*48, 64*64, 96*96 Size Letters Such as Week, Date, Time, Total 5 Regions
Network	
Network Storage	FTP
NTP	Y
ANR	Y
Video Analytics	Tripwire/Double Tripwire/Perimeter/Object Abandon/Object Lost/Running/Loitering/Parking/Crowd/Video Abnormal Detection
EW	N/A
Alarm Trigger	Motion Detection/IP Conflict/MAC Conflict/Mask Alarm
Protocols	IPV4/IPV6/802.1x/HTTP/FTP/SMTP/UPnP/SNMP/DNS/DDNS/NTP/RTSP/TCP/UDP/DHCP
Remote Connection	≤7
System Compatibility	ONVIF (Profile S) , P2P,SDK, CGI
Interface	
Audio Input	1-ch, Mic in
Audio Output	N/A
Communication Interface	1-ch RJ45 10M / 100M Ethernet Interface
Alarm Input	N/A
Alarm Output	N/A
Video Output	N/A
On-board Storage	MicroSD Card Slot, up to 128GB
Extension	Reset
General	
Language	English,Simplified Chinese,Traditional Chinese,Spanish, Italian, Korean, Turkish, Russian, Thai, polish, French
Operating Conditions	-35°C~60°C, 0~95% RHG
Power Supply	DC 12 V ± 25%, POE
Power Consumption	Max. 5W(IR OFF) (ICR Instant Switch 8.5W)
IR Light	8
IR Distance	10m
White Light	N/A
Impact Protection	IP66,IK10
Dimensions	120mm×120mm×90mm
Weight	0.7KG (IP Camera Only); 0.9KG (with Packing Box)

\* The latest product information / specification can be found at <http://en.tiandy.com/>



Tiandy Technologies Co., Ltd | [en.tiandy.com](http://en.tiandy.com)

Add: No.8, Huake Rd2, Binhai Hi-Tech Industry(Huayuan), Tianjin 300384 China

Tel: +86-22-58596037 Email: [sales@tiandy.com](mailto:sales@tiandy.com)

